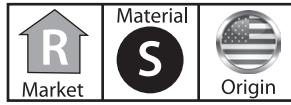
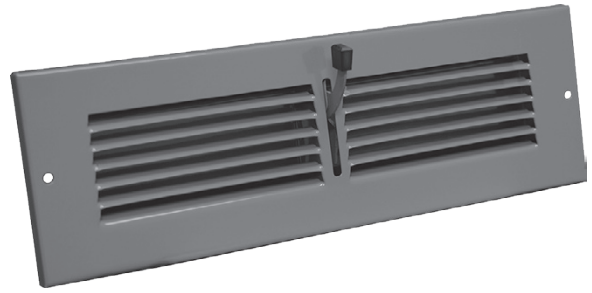


# Series 51a Toe Space Register

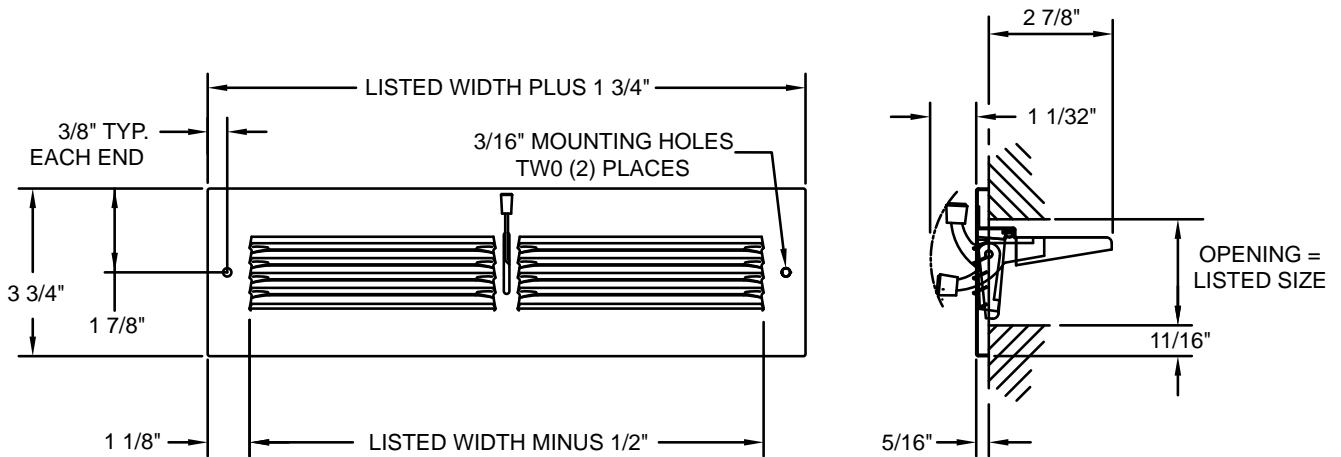


- Stamped steel construction
- Lanced face
- Single valve damper
- With mounting holes
- 2¼" length, 10", 12", 14" widths
- Golden Brown or White finish
- Made in the U.S.A.



Residential  
Floor & Baseboard

## Dimensional Drawings



## Performance Data, Series 51a

Unit Size (in.)	Overall Size (in.)	Face Velocity	300	400	500	600	700	800	900	1000
		Pressure Loss	.006	.010	.016	.022	.031	.040	.050	.062
10 x 2¼ Ak .17	11¾ x 3¾	Cfm	30	40	51	61	71	81	91	101
		Throw	5	6.5	8	9.5	11	12.5	17	17
12 x 2¼ Ak .12	13¾ x 3¾	Cfm	37	49	62	74	86	98	111	123
		Throw	4.5	5.5	7	8.5	10	11.5	13	16
14 x 2¼ Ak .15	15¾ x 3¾	Cfm	44	58	73	88	102	117	131	146
		Throw	4	5.5	7	8.5	9.5	11	12	15

Terminal velocity is 50 fpm. Always specify width by height.